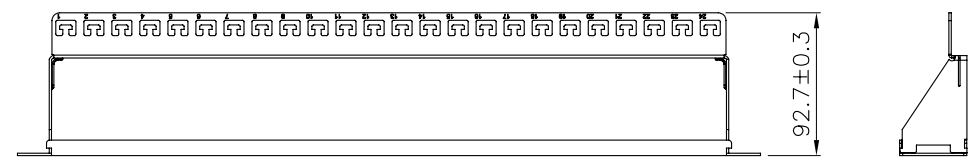
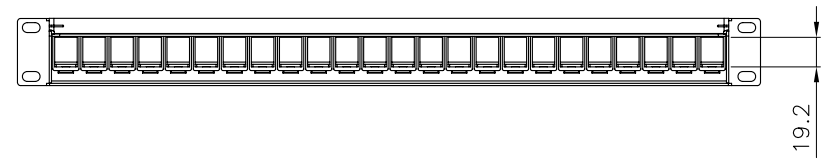
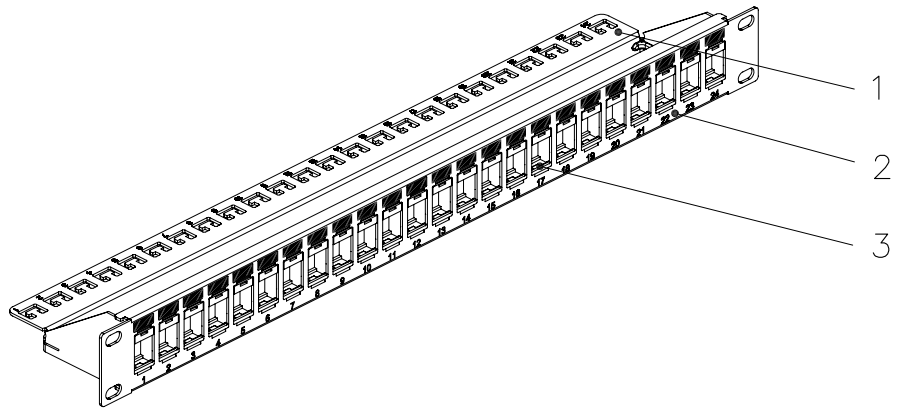


1 2 3 4 5 6

A

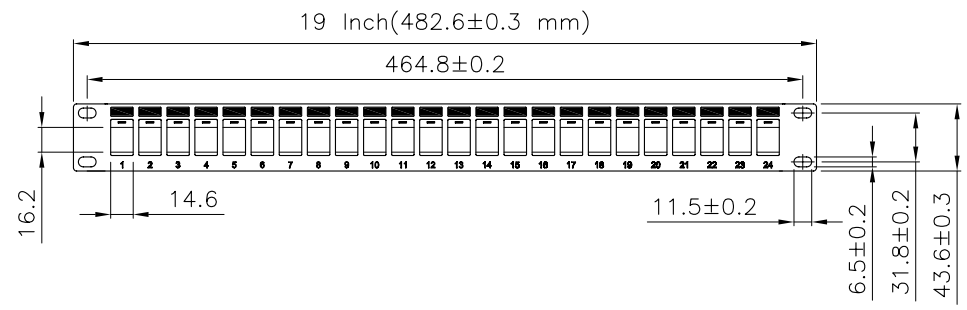
A



B

B

SCALE 1/4



C

C

Specification :

- Material :
1. Support Bar : SPCC, 1.5 mm thickness with Black color painted.
 2. Panel : SPCC, 1.5 mm thickness with Black color painted.
 3. Insert : ABS, UL 94V-0.

GENERAL TOLERANCE OF DIMENSIONS X.XXX ±0.005 X.XX ±0.05 X.X ±0.1	DRAWING	04.NOV.2010	QIQI	
	CHECK	04.NOV.2010	JANE	
	APPROVAL	04.NOV.2010	JAIMY	
	DATE		NAME	
SCALE	1/5 (A4)	UNIT	mm	DES.: PKJ24 A PATCH PANEL
DRAWING NO.		AIDAB2412110001 PKJ24-A-BK(SA1)		
DRAWING CLASSIFICATION		S	SHEET 1 1	

D

1 2 3 4 5 6

10cm